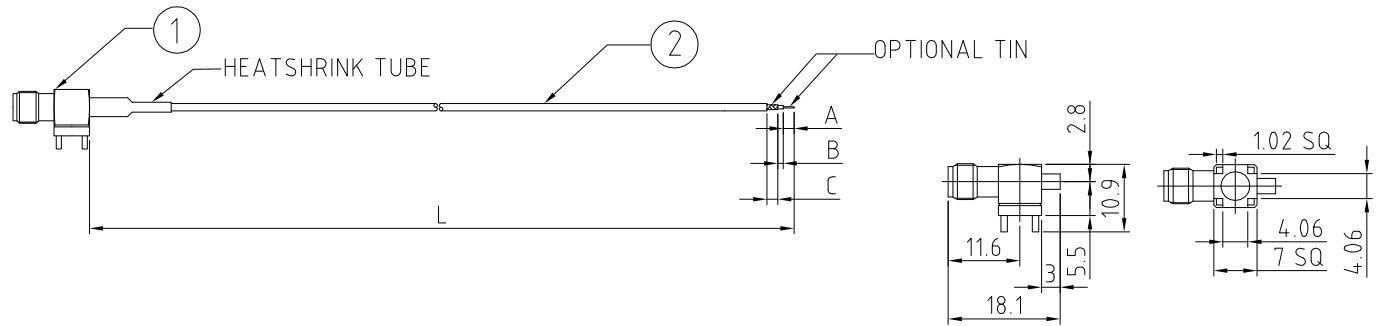




CABLE 086 RF: RF CABLE ASSEMBLY, SMA JACK S/T PCB MOUNT CABLE TYPE + 1.32 CABLE + STRIP / TIN

SPECIFICATIONS :

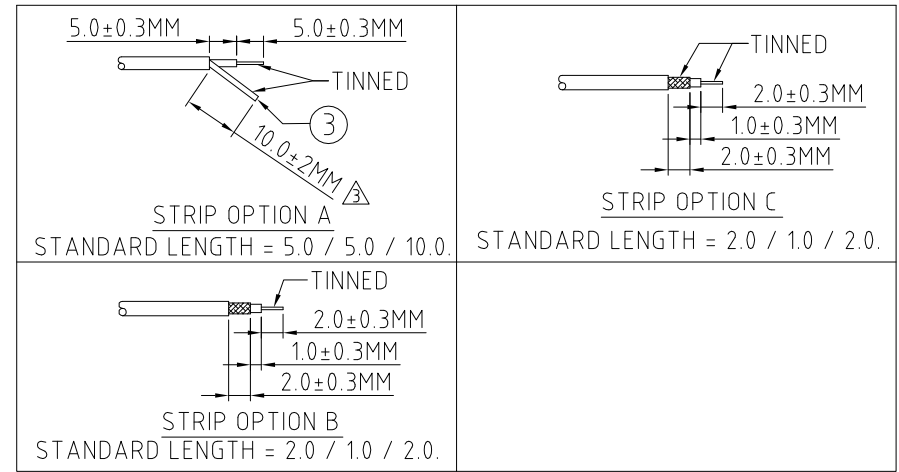
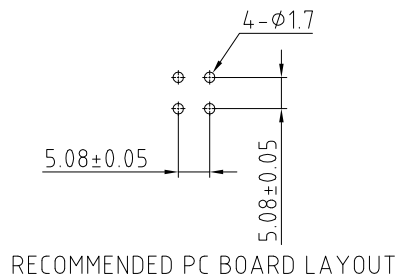
1. SMA JACK S/T PCB MOUNT CABLE TYPE (C02BI31132015B)
2.  $\phi$ 1.32MM COAXIAL CABLE, COLOR: GRAY
3. TWISTED BRAID OR FLEXIBLE COPPER WIRE, LENGTH = A (CENTRE CONDUCTOR) + B (INSULATOR). MINIMUM = 6.0MM. LENGTH 6.0MM - 9.9MM: TWISTED BRAID. LENGTH +10MM: FLEXIBLE COPPER WIRE.



SMA JACK DETAIL DIMENSION

NOTES:

1. STRIP DIMENSION A / B / C STANDS FOR  
A = CENTRE CONDUCTOR  
B = INSULATOR  
C = BRAID.
2. INSERTION LOSS TEST REPORT IS NOT AVAILABLE.
3. THIS IS OUR STANDARD OFFERING, SPECIAL DESIGNS ARE AVAILABLE, INCLUDING CUSTOM TOLERANCES AND SPECIAL BRAID TINNING DESIGNS. PLEASE CONTACT GRADCONN FOR MORE INFORMATION.
4. CENTRE CONDUCTOR AND TWISTED BRAID OF COAX CABLE IS TINNED. WHEN BRAID LENGTH EXCEEDS 10MM LENGTH OF TINNED COPPER WIRE IS SOLDERED TO THE BRAID/SHIELD OF THE COAX CABLE WHICH ALLOWS SOLDERING TO PCB.



HOW TO ORDER

CABLE 086 RF - X X X - X.X / X.X / X.X - X

"L" LENGTH IN MM  
eg: 100MM = 100  
(MIN. 025-MAX.400)  
STANDARD = 100, 150, 200  
Tolerance: <50mm : ±2mm.  
51-200mm: ±5mm.  
201-400mm: ±7mm.

A/B/C STRIP DIMENSION IN MM  
FOR STANDARD LENGTH PLEASE  
REFER TO DRAWINGS.  
(SPECIALS AVAILABLE UPON  
REQUEST.)

STRIP AND TIN OPTIONS:  
A = CENTER CONDUCTOR & TWISTED BRAID/SOLDERED COPPER WIRE TINNED (SEE NOTE 4 FOR SOLDER TO PCB APPLICATION)  
B = STRIPPED, END A TINNED  
C = STRIPPED, END A & C TINNED

10	27/10/09 - CHC RELEASE
11	26/11/09 - CHC ADD 1 DECIMAL PLACE TO STRIP DIMENSIONS.
12	18/05/10 - NYW AMEND SMA DESCRIPTION TO S/T TYPE
13	17/07/11 - NYW AMEND TOLERANCE.
14	05/08/13 - NYW AMEND SPECIFICATION 3.
15	19/05/19 - NYW AMEND SPECIFICATION 3. AMEND STRIP OPTION A.

Scale: NTS	THIRD ANGLE	Unstated X .XX .XXX ANGLES	Tolerances: ±0.2 ±0.1 ±0.05 ±5	Material SEE NOTE
Drawn: CHC				
App'd: XXX	Title: CABLE ASSEMBLY	NOT TO SCALE		
Date: 19 MAY '15	Revision: 15	Unit: mm		

THIS DRAWING IS CONFIDENTIAL AND MUST NOT BE COPIED OR DISCLOSED WITHOUT WRITTEN CONSENT

Type: Cable 086 RF
CABLE 086 RF
Drawing Number:
Sheet 1 of 1
Drawing © E and O E